

PascaMaxx

DIFFERENTIAL PRESSURE MEASUREMENT INSTRUMENT FOR FILTER-SYSTEMS, VENTILATORS, FLAP-CONTROLS

General information

The PascalMaxx differential pressure measurement instrument has been developed for the monitoring of filter systems, ventilators and flap-controls in centralised air conditioning plants. Thanks to the integrated automatic zero-point calibration system, the device enables very accurate and stable measurements. A big, clear LCDisplay facilitates the value reading.

The instrument settings are done by the front side buttons through the user friendly and intuitive user menu. The PascalMaxx can be easily configured for different applications. The range of products consists of 2 versions, with measurement range 0 to 500 Pa or 0 to 2000 Pa. A robust housing and the optional dust protection filters allow an ideal use in the air conditioning industry.

The automatic zero-point calibration system makes adjustments unnecessary and thus reduces operation and maintenance costs. Furthermore it allows a mounting irrespective of its position.

Together with the analogue output also a relay is integrated in the system for an automatic alarm or 2-point control purpose. Nominal values, hysteresis and delay can be set through the device's user menu.

The instrument functions are continuously monitored and eventual failures are indicated immediately on the LCDisplay.

The PascalMaxx disposes not only of outstanding measurement features and functions but also of a unique cost efficiency.

Features

- Unique cost efficiency
- Ergonomic design
- Big, clear LCDisplay
- Easy calibration features at 2 points
- 2 programmable alarm thresholds for 2-point control
- Intuitive menu structure
- Scalable, analogue output & 1 relay
- Password protection
- Automatic zero-point calibration
- Filter function for display and analogue output
- Integrated dust particle protection filter
- SWISS-MADE Quality

Applications

- Measurement, monitoring and control of air conditioning plants and industrial processes :
- Industrial HVAC (Heating, Ventilation, Air Conditioning) plants for processes
 - Clean Room applications
 - Tunnels and underground mining
 - Air lock systems
 - DDC-, PLC- or discrete control systems



Attractive price, accuracy, flexibility thanks to membrane technology

WITH AUTOMATIC ZERO-POINT CALIBRATION

Versions :

PascaMaxx 500 Z : P/N 260 0091

Meas. range : 0...500 Pa (unidirectional)

Power supply : 24VDC

Signal output : 0/4...20mA, 0/2...10V

Relay : 230V, 2A

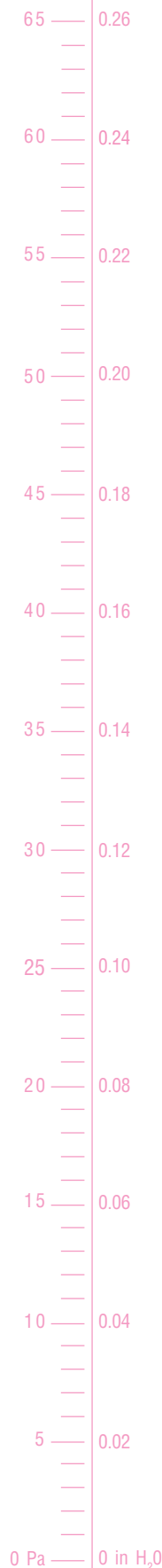
PascaMaxx 2000 Z : P/N 260 0083

Meas. range : 0...2000 Pa (unidirectional)

Power supply : 24VDC

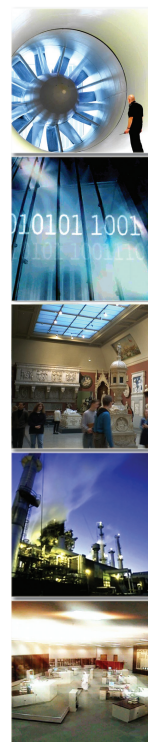
Signal output : 0/4...20mA, 0/2...10V

Relay : 230V, 2A



Technical data

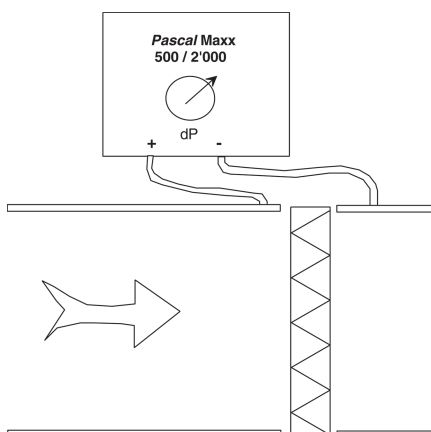
Type	PascalMaxx 500 Z	PascalMaxx 2000 Z
Part no.	260 0091	260 0083
Dimensions	110 x 130 x 50 mm	110 x 130 x 50 mm
Measurement range differential pressure (fresh air)	0 ... 500 Pa	0 ... 2'000 Pa
Max. resolution	0.1 Pa	1 Pa
Accuracy	+/- 1.0 %	+/- 0.5% (of the full scale)
Temperature effect	< +/- 0.2 Pa/°C	
Differential pressure sensor	Piezo resistive membrane	
Max. permissible overpressure	+/- 35'000 Pa	
Operating temperature	0 ... + 50°C	
Long term stability / drift	< 2 Pa / year (automatic zero-point calibration)	
Power supply	19.2 ... 28.8 VDC (In-Out without galvanic isolation)	
Power consumption	max. 2 Watt (in operation)	
Outputs :	Ranges scalable individually	
Analogue output	0 ... 10V / 2 ... 10V / 0 ... 20 mA / 4 ... 20 mA	
Relay output	max 230 VAC - 2A ohmic (adjustable)	
Norm tests :		
Electromagnetic compatibility	EN 61326-1 / EN 61326 A1	
IP-protection	IP 41	
Storage temperature	-10 ... +60 °C (not condensing)	
Measurement medium	dry, not condensing, not aggressive gases	



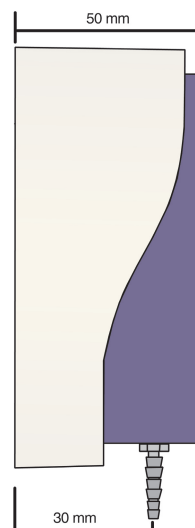
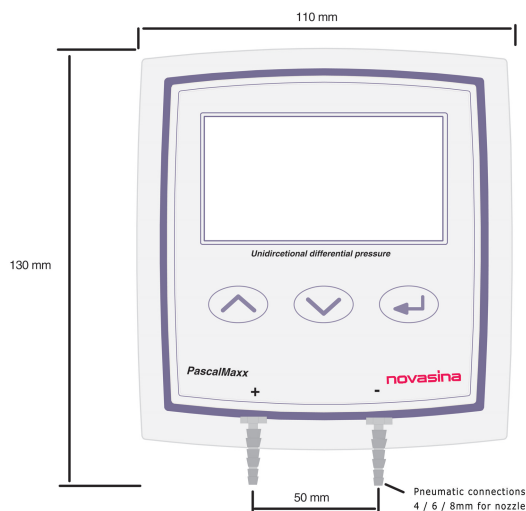
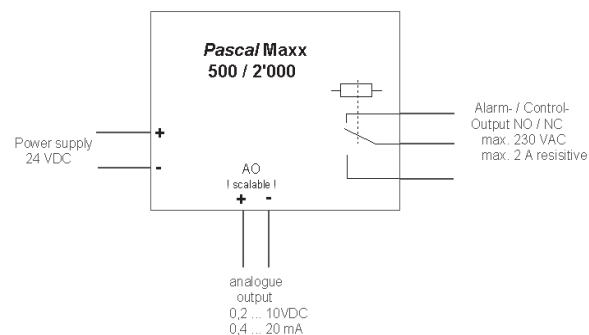
Accessories + Spare parts

	Part no.
External power supply EUR plug 90...260 VAC	252 4210
External power supply US/JP plug 90...260 VAC	252 4211
Spare plug set	260 0096
Protection filter set	260 0097
Factory calibration with certificate	111 7603

Application filter monitoring :



Electrical connection PascalMaxx :



PascalMaxx 500 / 2000 Z

Subject to change without notice !